

APPLICATION

REVISIONS

NEXT ASSY.

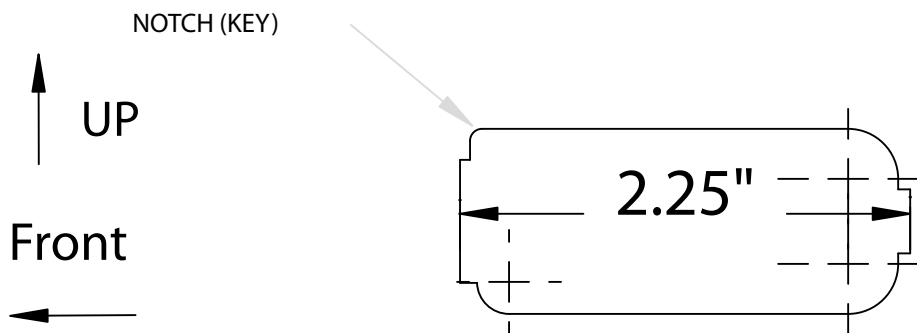
USED ON

REV.

DESCRIPTION

DATE APPROVED

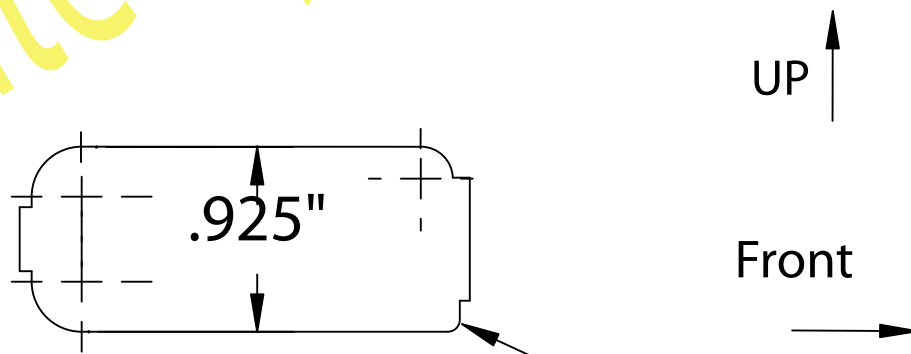
ACCENT LINE



Driver SIDE
(This side out)

FENDER EDGE

ACCENT LINE



Passenger SIDE
(This side out)

FENDER EDGE

UNLESS OTHERWISE SPECIFIED
DIMENSIONS ARE IN INCHES.
TOLERANCES ARE:

APPROVALS

DATE

TITLE

DRAWN

CHECKED

RSX Side marker light template

MATERIAL

ENGR.

SIZE CODE

DWG.NO.

REV. 4

FINISH

ISSUED

A

WEIGHT

SHEET

DO NOT SCALE DRAWING